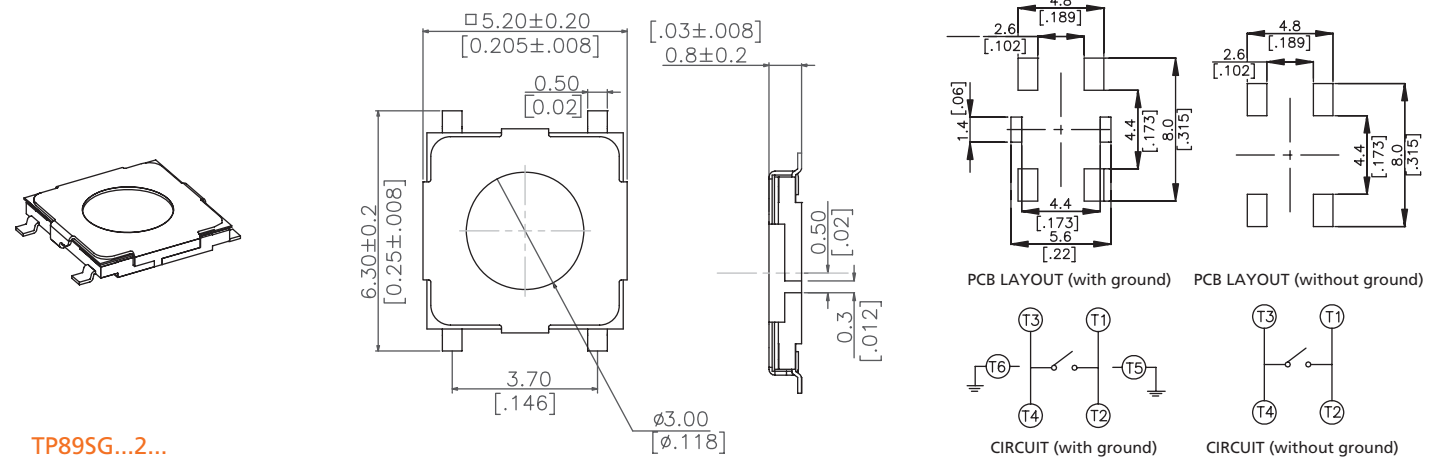
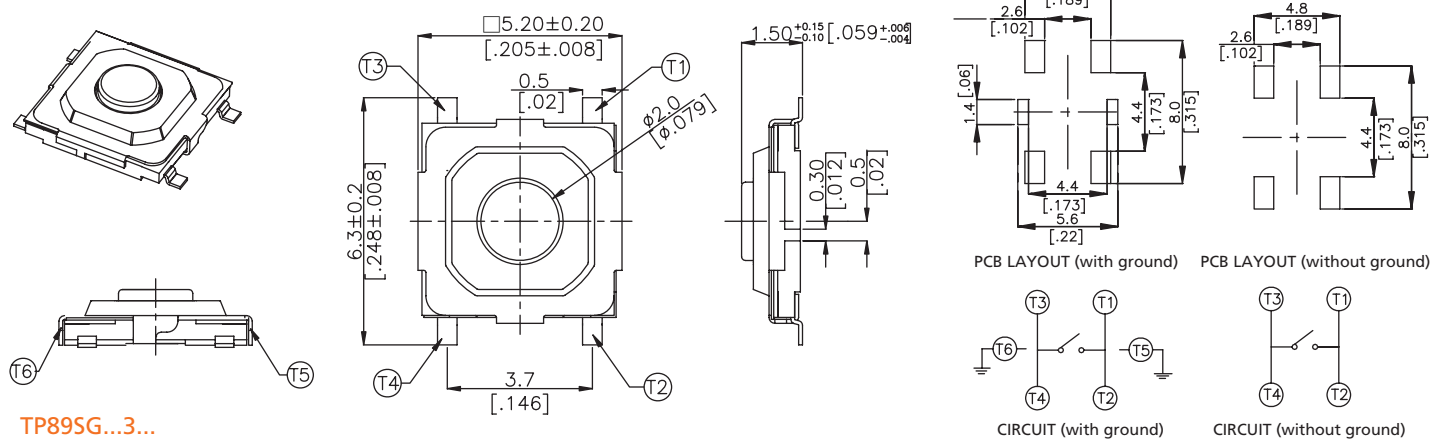


Tactile Switches

5x5mm SMT Halogen-Free Tactile Switches

TP89 Series



How to order:

TP89

1 TYPE OF TERMINALS:

- S Gull Wing SMT Terminals
- J J Bend SMT Terminals

2 GROUND TERMINALS:

- G With Ground Terminals
- C With Ground Pin in Central

3 MATERIAL OF COVER:

- N Nickel Silver (Standard)
- S Stainless Steel

4 TOTAL HEIGHT:

- 2 0.8 mm
- 3 1.5 mm

5 OPERATING FORCE:

- L 100gf ± 50gf
- S 160gf ± 50gf
- H 260gf ± 50gf

6 STEM:

- N Metal Stem
- A Black Stem (only for 160gf)
- B White Stem (only for 100gf & 260gf)

7 PACKAGING:

- TR Tape and Reel (4000 pcs per reel)

General Tolerance: ±0.2mm

General Specifications:

MATERIALS

- » Halogen-free materials
- » Cover: Nickel Silver or stainless steel
- » Contact Disc: Stainless steel with silver cladding
- » Terminal: Brass with silver plated
- » Base: LCP High-temp Thermoplastic black
- » Plastic Stem: LCP High-temp Thermoplastic black
- » Tape: Teflon

MECHANICAL

- » Stroke: 0.25 ^{+0.1mm} / _{-0.2mm}
- » Stop Strength: Max.3kgf vertical static load continuously for 15 seconds
- » Operation Temperature Range: -25°C to +70°C
- » Storage Temperature Range: -30°C to +80°C

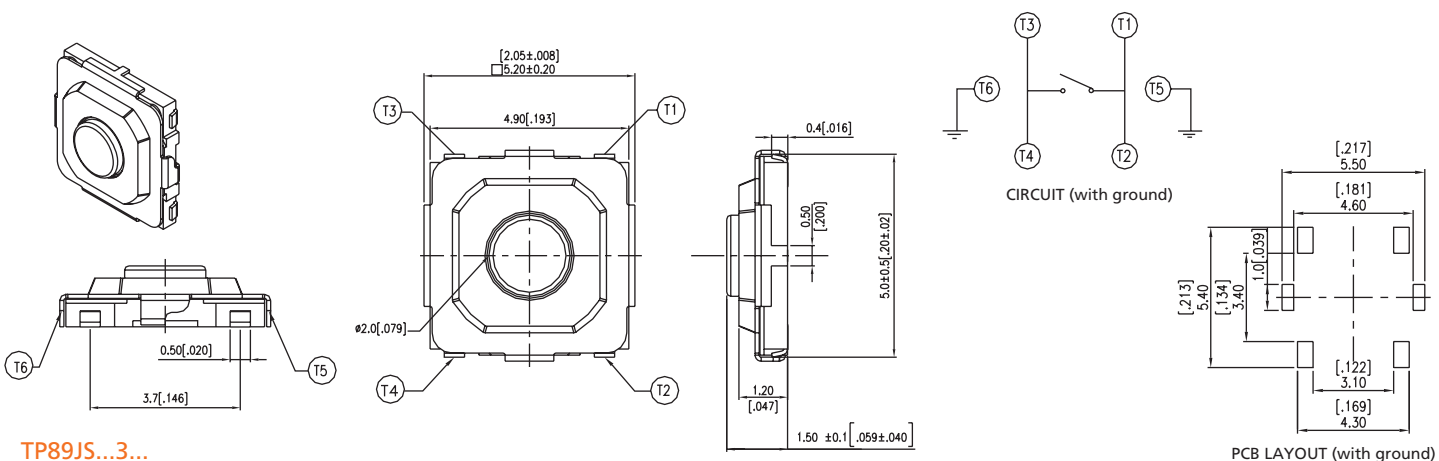
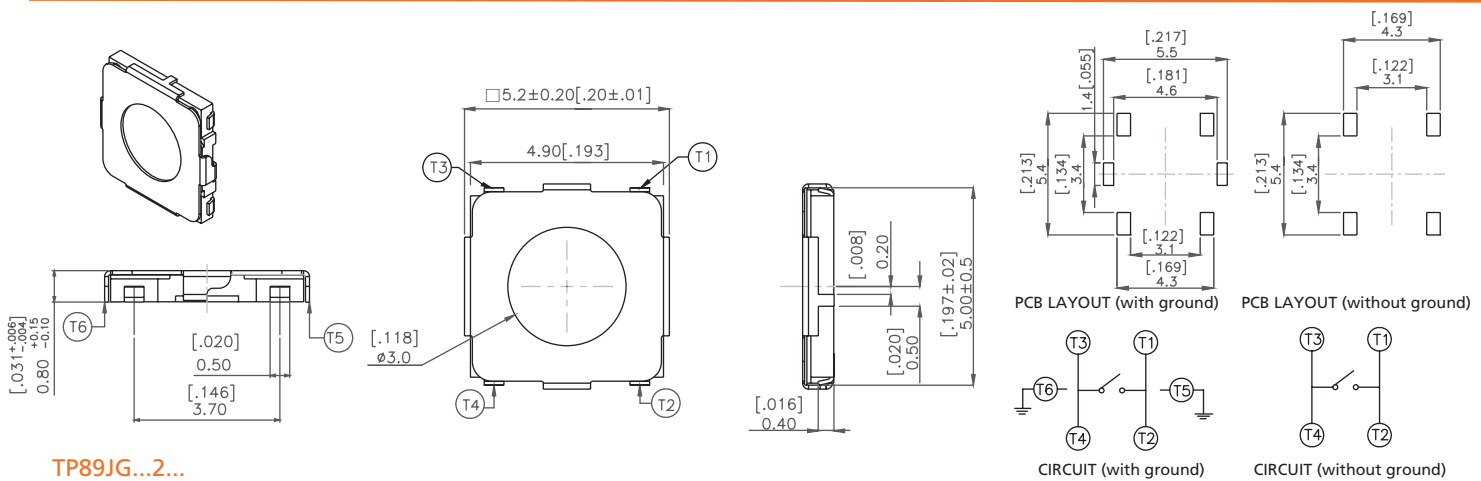
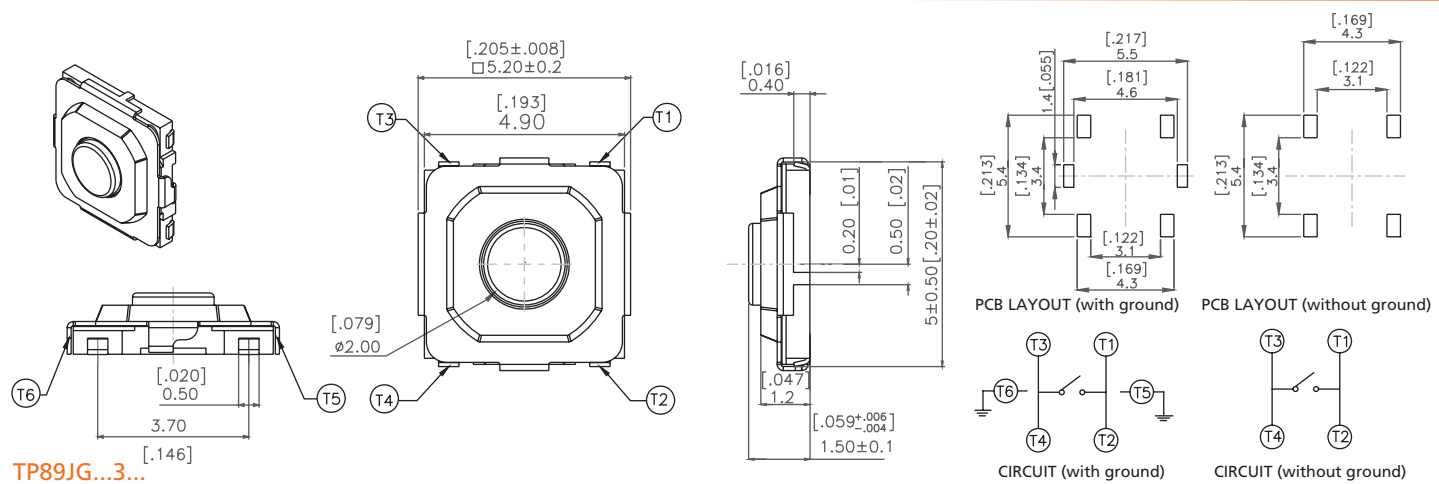
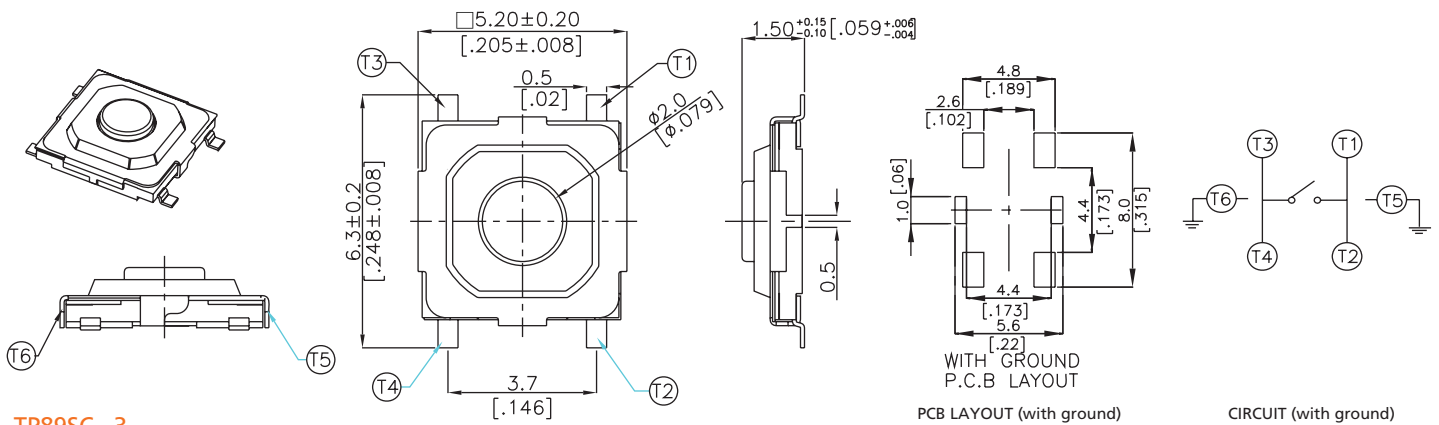
ELECTRICAL

- » Electrical Life: 1,000,000 cycles min. for 100gf & 160gf
200,000 cycles min. for 260gf
- » Rating: 50 mA, 12 VDC
- » Contact Resistance: 100mΩ max.
- » Insulation Resistance: 100mΩ min.at 500VDC
- » Dielectric Strength: 250VAC/ 1 minute
- » Contact Arrangement: 1 pole 1 throw

Tactile Switches

5x5mm SMT Halogen-Free Tactile Switches

TP89 Series



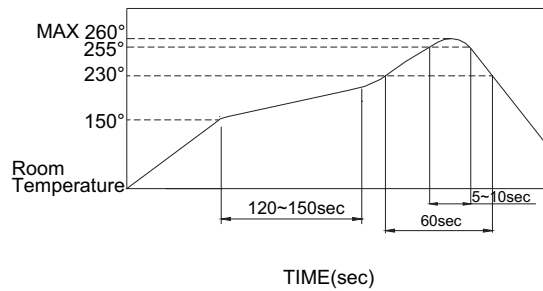
SOLDERING PROCESS

> Hand Soldering:

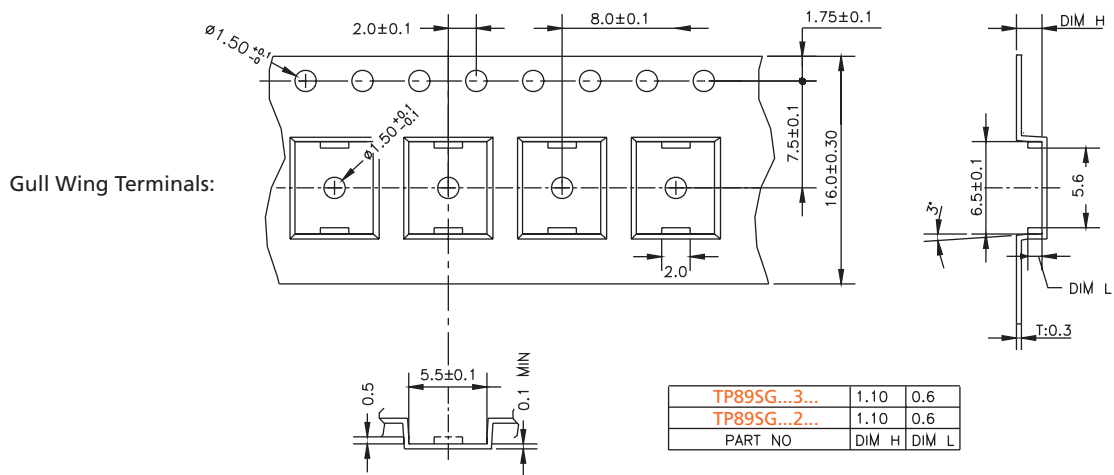
Use a soldering iron of 30 watts, controlled at 350°C approximately Max 5 seconds while applying solder.

> Vapor phase & reflow soldering:

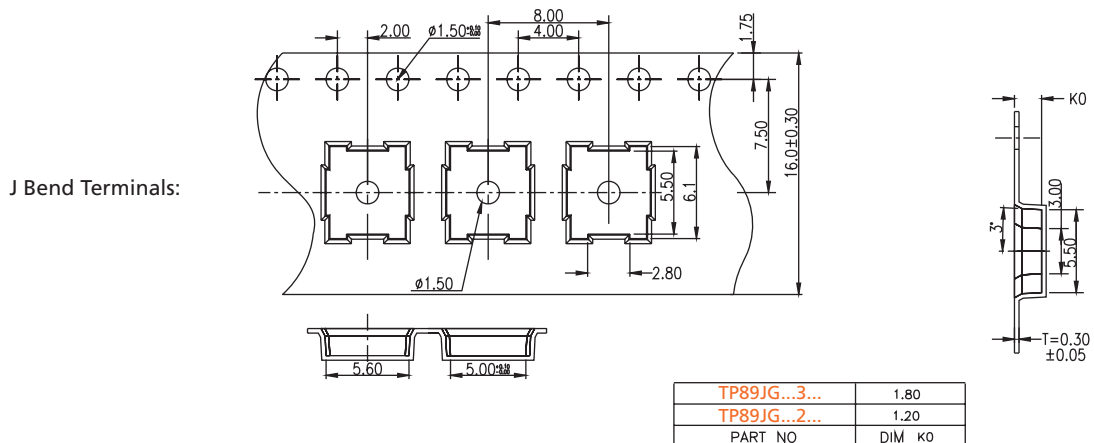
Temperature Profile:



Tape & Reel Packaging:



General Tolerance : ±0.1mm



General Tolerance : ±0.1mm